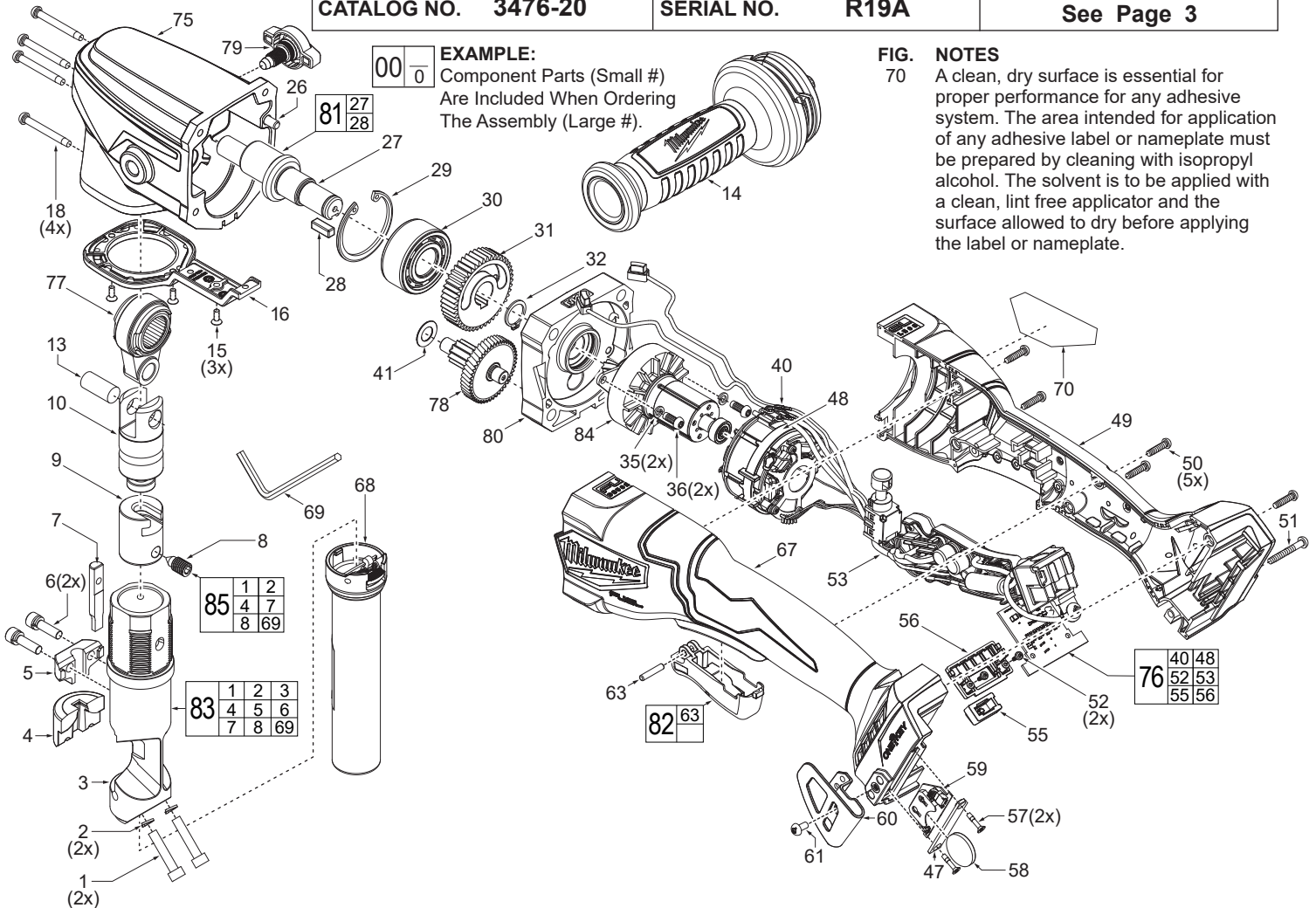




SERVICE PARTS LIST

BULLETIN NO.
PN0004203

SPECIFY CATALOG NO. AND SERIAL NO. WHEN ORDERING PARTS		REVISED BULLETIN	DATE
M18 FUEL™ 10 Gauge Nibbler			Dec. 2024
CATALOG NO.	3476-20	WIRING INSTRUCTION	
SERIAL NO.	R19A	See Page 3	



EXAMPLE:
Component Parts (Small #)
Are Included When Ordering
The Assembly (Large #).

FIG. NOTES
70 A clean, dry surface is essential for proper performance for any adhesive system. The area intended for application of any adhesive label or nameplate must be prepared by cleaning with isopropyl alcohol. The solvent is to be applied with a clean, lint free applicator and the surface allowed to dry before applying the label or nameplate.

FIG.	PART NO.	DESCRIPTION OF PART	NO. REQ.
1	-----	M5 x 25mm CH Hex Mach. Screw	(2)
2	-----	Spring Washer	(2)
3	-----	Die Holder	(1)
4	-----	Die	(1)
5	-----	Punch Guide	(1)
6	-----	M5 x 25mm CH Hex Screw w/Washer	(2)
7	-----	Die	(1)
8	05-74-7215	M8 x 18 Set Screw	(1)
9	43-72-7175	Punch Holder	(1)
10	44-66-7370	Piston	(1)
13	06-65-7575	Piston Pin	(1)
14	42-62-0125	Side Handle	(1)
15	05-74-7220	M3 x 0.5 FH Philips #2 Screw	(3)
16	31-15-2735	LED Cover	(1)
18	06-82-4002	M4 x 1.411 PH T-20 Screw	(4)
26	-----	Locating Pin	(1)
27	-----	Eccentric Shaft	(1)
28	-----	Square Key	(1)
29	34-80-2275	Retaining Ring	(1)
30	02-04-7235	Ball Bearing	(1)
31	32-75-5385	2nd Layer Gear	(1)
32	34-80-0002	Retaining Ring	(1)
35	05-90-0225	Spring Washer	(2)
36	05-78-0105	M4 x 0.7 PH T-20 Taptite Screw	(2)
40	-----	Stator	(1)
41	45-88-1766	Washer	(1)
47	31-15-2740	Coin Cell Cover	(1)
48	-----	Motor Stator Adapter	(1)
49	31-44-7275	Handle Cover	(1)

FIG.	PART NO.	DESCRIPTION OF PART	NO. REQ.
50	05-81-5383	M3.5 x 14mm CH Screw	(5)
51	06-82-2025	M3.5 x 26mm Screw	(1)
52	05-88-0106	M2 x 0.89 Screw	(6)
53	-----	PCB Assembly	(1)
55	45-24-2570	Mode Selector Button	(1)
56	-----	Mode Select Panel	(1)
57	05-80-0433	M2.6 x 0.907 Flat Hd. Philips Screw	(2)
58	-----	Coin Cell Battery (CR2032) - See local hardware store	(1)
59	22-09-6635	Coin Cell Board	(1)
60	42-70-5151	Belt Hook	(1)
61	06-82-2500	#6-32 Pan Hd. T-15 Screw	(1)
63	-----	Trigger Pivot Post	(1)
67	31-50-2405	Handle Support	(1)
68	42-16-2725	Chip Collection Bag Assembly	(1)
69	45-96-8001	Hex Key	(1)
70	12-20-3476	Service Nameplate	(1)
75	14-30-6340	Gearcase Assembly	(1)
76	22-09-1885	PCBA/Stator Assembly	(1)
77	14-09-2825	Con Rod Assembly	(1)
78	14-73-3285	Intermediate Shaft/First Gear Assembly	(1)
79	14-20-7015	Wingnut/Washer/O-Ring Assembly	(1)
80	44-66-7375	End Cap Assembly	(1)
81	14-20-7020	Eccentric Shaft Service Kit	(1)
82	31-92-1075	Trigger Cap Assembly	(1)
83	48-44-0276	Die Holder Accessory Kit	(1)
84	16-01-2790	Rotor Assembly	(1)
85	48-44-0274	Punch & Die Accessory Kit	(1)

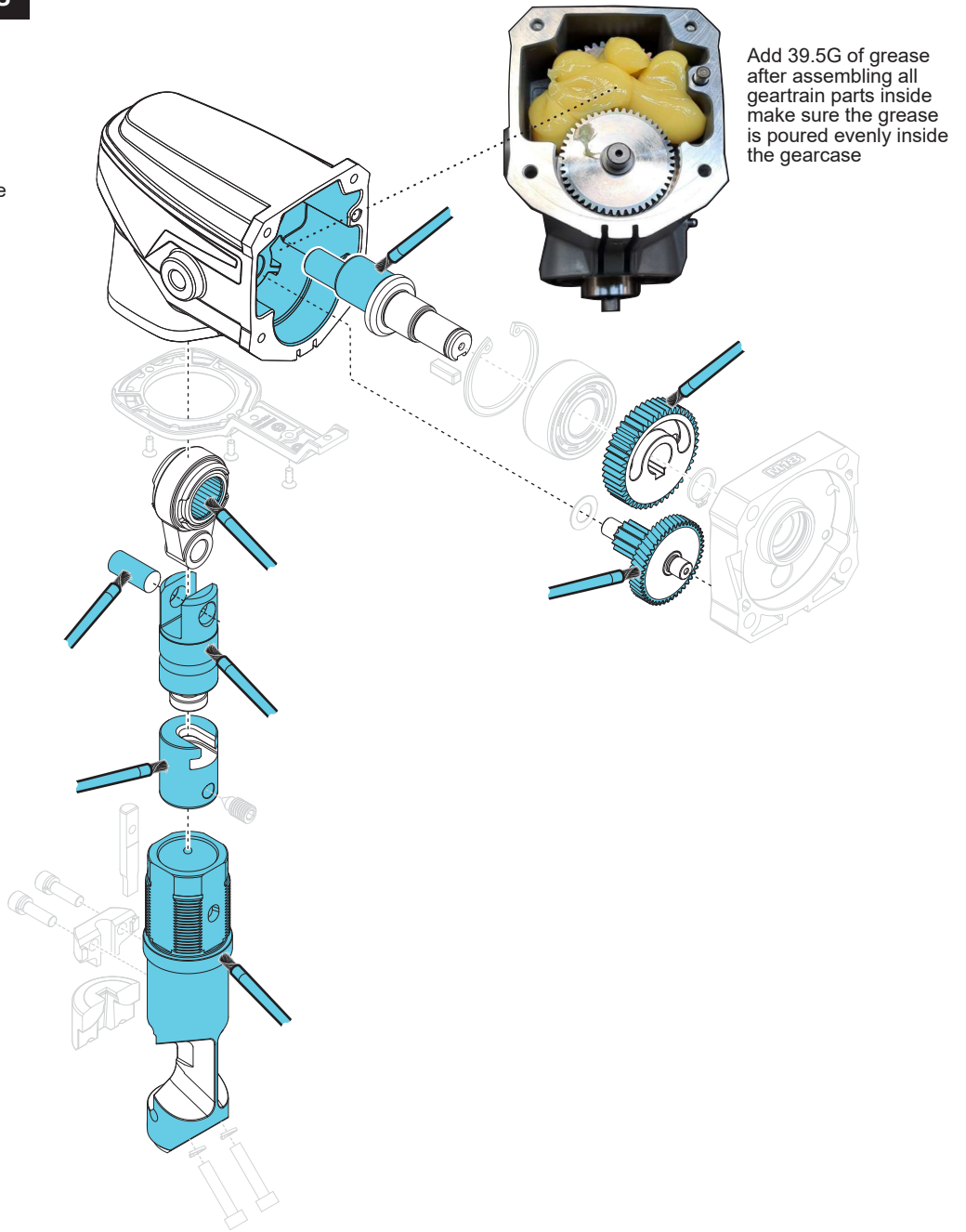
LUBRICATION INSTRUCTIONS

● = Type 'J' Grease,
(1-lb. can), 49-08-4220

NOTE

When servicing, remove 90-95% of the existing grease prior to installing Type 'J'. Original grease may be similar in color but not compatible with 'J'.

Regarding parts to be lubricated: Apply a light coating of grease to all highlighted parts shown prior to installation.



TORQUE SPECS

FIG.	PART NO.	WHERE USED	SEAT TORQUE	
			(kgf-cm)	(lb-in)
1	06-97-3610	Die Holder	85±5	74±4
6	06-83-0020	Punch Guide	85±5	74±4
8	05-81-0592	Punch Holder	65±5	56±4
15	43-98-0032	LED Cover	8±1	7±1
18	05-88-1255	Gearcase	16.5±1.5	14.3±1.3
23	05-88-1255	Wing Nut Assy.	30±2	26±2
36	-----	Bearing Retainer	26±3	23±3
50	06-82-0062	Handle Housing	14.5±2	12.6±2
51	06-82-1087	Handle Housing	14.5±2	12.6±2
52	06-82-7210	Hall Sensor	3±0.5	3±0.4
57	06-82-7210	Coin Cell Cover	4.5±0.4	3.9±0.3
61	06-82-7210	Belt Hook	10.5±1.5	9.1±1.3

WIRING INSTRUCTIONS

